



DESCRIPTION

The S3AF~S3MF are available in SMAF Package

ORDERING INFORMATION

Package Type	Part Number
SMAF	S3AF
	S3BF
	S3DF
	S3GF
	S3JF
	S3KF
	S3MF
Note	SPQ: 3,000pcs/Reel
AiT provides all RoHS Compliant Products	

FEATURES

- For surface mounted applications
- Low profile package
- Glass Passivated Chip Junction
- Easy to pick and place
- Available in SMAF Package

MECHANICAL DATA

Case: SMAF

Terminals: Solderable per MIL-STD-750,
Method 2026

Approx. Weight: 27mg 0.00086oz

PIN DESCRIPTION





MAXIMUM RATINGS AND ELECTRICAL CHARACTERISTICS

Ratings at 25°C ambient temperature unless otherwise specified.

Single phase half-wave 60 Hz, resistive or inductive load, for capacitive load current derate by 20 %.

Parameter	Symbol	S3AF	S3BF	S3DF	S3GF	S3JF	S3KF	S3MF	Unit
Maximum Repetitive Peak Reverse Voltage	V_{RRM}	50	100	200	400	600	800	1000	V
Maximum RMS Voltage	V_{RMS}	35	70	140	280	420	560	700	V
Maximum DC Blocking Voltage	V_{DC}	50	100	200	400	600	800	1000	V
Maximum Average Forward Rectified Current at $T_A=65^\circ\text{C}$	$I_{F(AV)}$	3							A
Peak Forward Surge Current 8.3 ms Single Half Sine Wave Superimposed on Rated Load(JEDEC Method)	I_{FSM}	100							A
Maximum Instantaneous Forward Voltage at 3A	V_F	1.2							V
Maximum DC Reverse Current @ $T_A=25^\circ\text{C}$ at Rated DC Blocking Voltage @ $T_A=125^\circ\text{C}$	I_R	5 250							μA
Typical junction capacitance ^{NOTE1}	C_J	53							pF
Typical thermal resistance ^{NOTE2}	$R_{\theta JA}$	13 47							$^\circ\text{C/W}$
Operating and Storage Temperature Range	$T_J,$ T_{STG}	-55 to 150							$^\circ\text{C}$

NOTE1: Measured at 1 MHz and applied reverse voltage of 4 V DC

NOTE2: Thermal resistance from junction to ambient at 0.375" (9.5 mm) lead length, P.C.B. mounted



TYPICAL CHARACTERISTICS

Figure 1. Forward Current Derating Curve

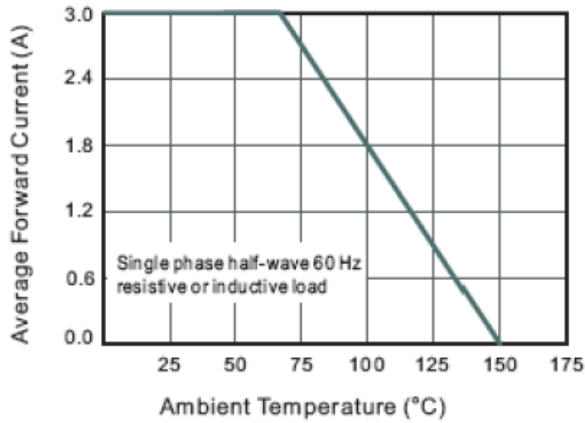


Figure 2. Typical Instantaneous Reverse Characteristics

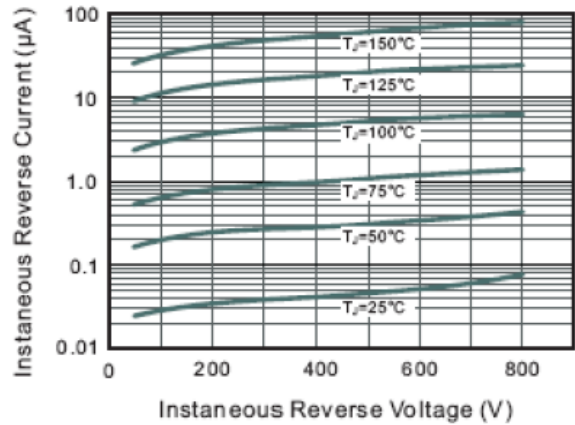


Figure 3. Typical Forward Characteristic

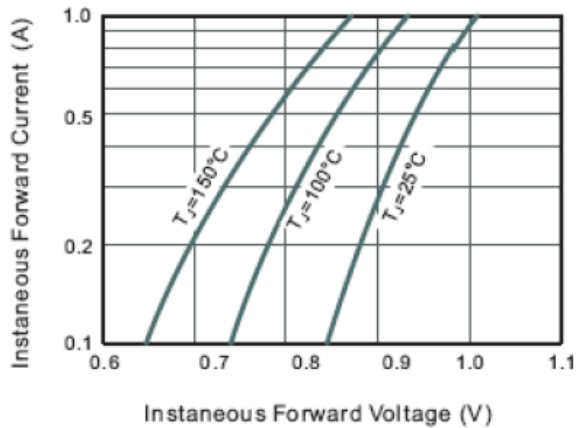
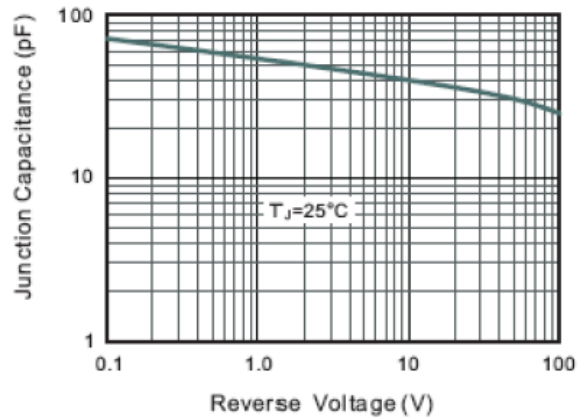


Figure 4. Typical Junction Capacitance

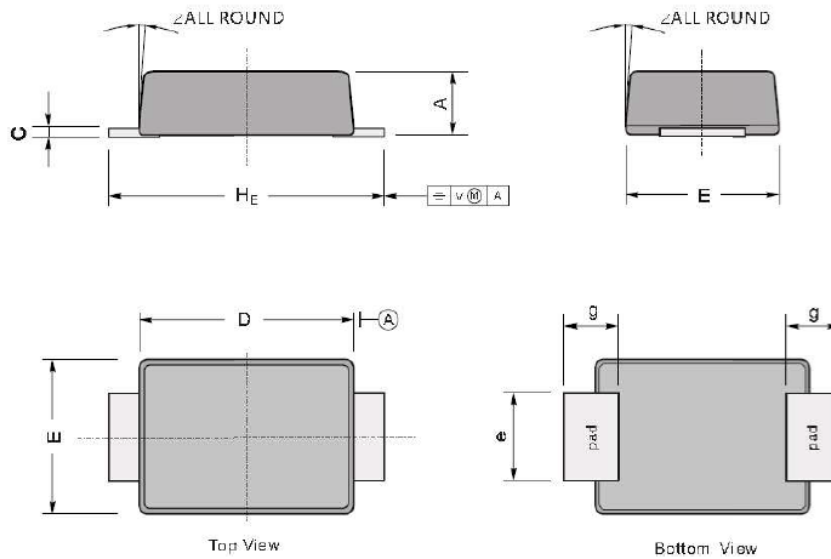




PACKAGE INFORMATION

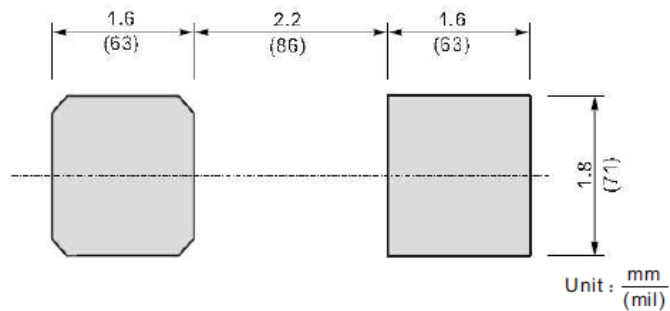
Dimension in SMAF Package (Unit: mm/mil)

Plastic surface mounted package; 2 leads



UNIT		A	C	D	E	e	g	H _E	∠
mm	max	1.1	0.20	3.7	2.7	1.6	1.2	4.9	7°
	min	0.9	0.12	3.3	2.4	1.3	0.8	4.4	
mil	max	43	7.9	146	106	63	47	193	
	min	35	4.7	130	94	51	31	173	

The recommended mounting pad size





IMPORTANT NOTICE

AiT Components (AiT) reserves the right to make changes to any its product, specifications, to discontinue any integrated circuit product or service without notice, and advises its customers to obtain the latest version of relevant information to verify, before placing orders, that the information being relied on is current.

AiT Components' integrated circuit products are not designed, intended, authorized, or warranted to be suitable for use in life support applications, devices or systems or other critical applications. Use of AiT products in such applications is understood to be fully at the risk of the customer. As used herein may involve potential risks of death, personal injury, or severe property, or environmental damage. In order to minimize risks associated with the customer's applications, the customer should provide adequate design and operating safeguards.

AiT Components assumes no liability to customer product design or application support. AiT warrants the performance of its products of the specifications applicable at the time of sale.