



DESCRIPTION

The US1AF~US1MF are available in SMAF Package

ORDERING INFORMATION

Package Type	Part Number
SMAF	US1AF
	US1BF
	US1DF
	US1GF
	US1JF
	US1KF
	US1MF
Note	SPQ: 3,000pcs/Reel
AiT provides all RoHS Compliant Products	

PIN DESCRIPTION



FEATURES

- For surface mounted applications
- Low profile package
- Glass Passivated Chip Junction
- Easy to pick and place
- High efficiency
- Fast reverse recovery time
- Available in SMAF Package

MECHANICAL DATA

Case: SMAF
Terminals: Solderable per MIL-STD-750,
Method 2026
Approx. Weight: 27mg 0.00086oz



MAXIMUM RATINGS AND ELECTRICAL CHARACTERISTICS

Ratings at 25°C ambient temperature unless otherwise specified. Single phase half-wave 60 Hz, resistive or inductive load, for capacitive load current derate by 20 %.

Parameter	Symbol	US1AF	US1BF	US1DF	US1GF	US1JF	US1KF	US1MF	Unit
Maximum Repetitive Peak Reverse Voltage	V_{RRM}	50	100	200	400	600	800	1000	V
Maximum RMS Voltage	V_{RMS}	35	70	140	280	420	560	700	V
Maximum DC Blocking Voltage	V_{DC}	50	100	200	400	600	600	100	V
Maximum Average Forward Rectified Current at $T_A=65^\circ\text{C}$	$I_{F(AV)}$	1.0							A
Peak Forward Surge Current 8.3ms Single Half Sine Wave Superimposed on Rated Load (JEDEC Method)	I_{FSM}	25							A
Maximum Instantaneous Forward Voltage at 1A	V_F	1.0			1.4	1.7			V
Maximum DC Reverse Current at Rated DC Blocking Voltage	I_R					5.0			μA
						100			
Maximum Reverse Recovery Time ^{NOTE1}	t_{rr}	50				75			ns
Typical Thermal Resistance	$R_{\theta JA}$	180							$^\circ\text{C/W}$
Operating and Storage Temperature Range	T_J, T_{STG}	-55 ~ 150							$^\circ\text{C}$

NOTE1: Measured with $I_F=0.5\text{A}$, $I_R=1\text{A}$, $I_{rr}=0.25\text{A}$



TYPICAL CHARACTERISTICS

Figure. 1 Forward Current Derating Curve

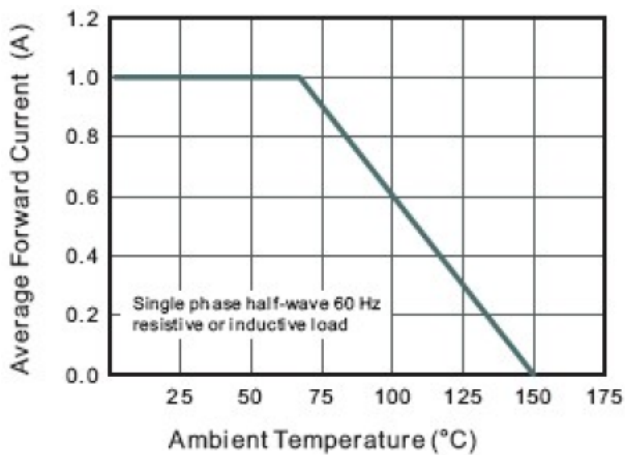


Figure. 2 Typical Reverse Characteristics

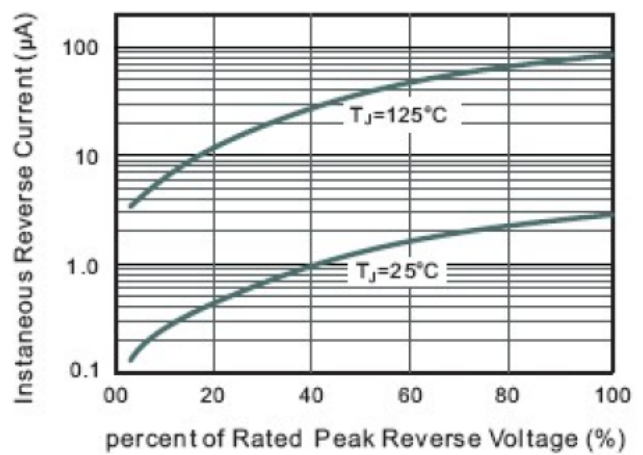


Figure. 3 Typical Instantaneous Forward Characteristics

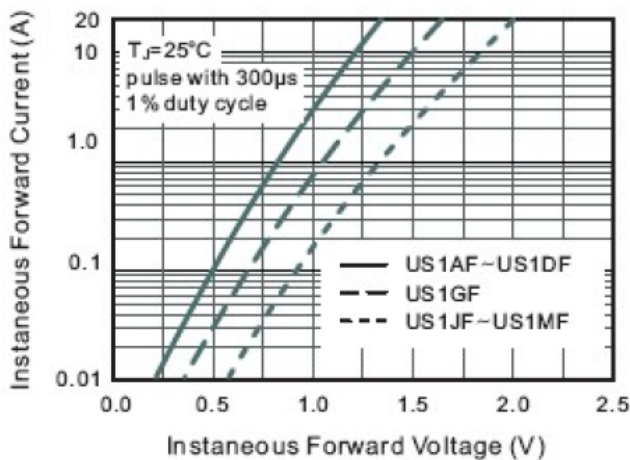
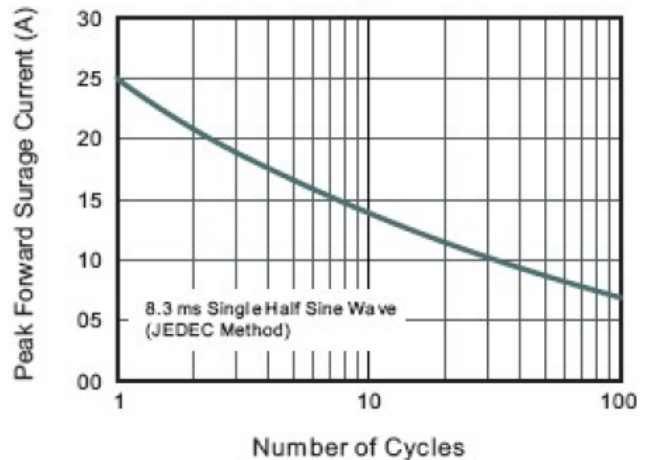


Figure. 4 Maximum Non-Repetitive Peak Forward Surge Current

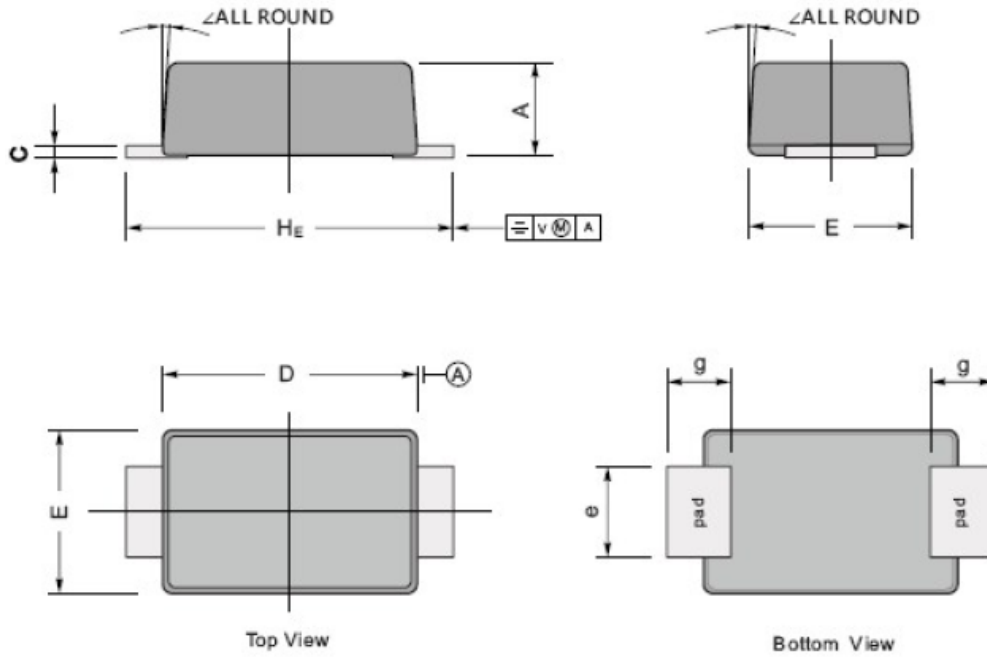




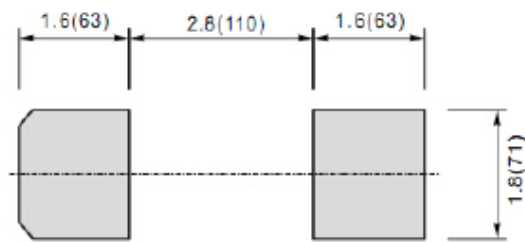
PACKAGE INFORMATION

Dimension in SMAF (Unit: mm)

Plastic surface mounted package; 2 leads



The recommended mounting pad size



Unit: mm(mil)

UNIT		A	C	D	E	e	g	H _E	\angle
mm	Max	1.3	0.23	3.7	2.7	1.6	1.3	4.9	7°
	Min	1.1	0.18	3.3	2.4	1.3	1.0	4.4	
mil	Max	51	9.1	146	106	63	51	193	
	Min	43	7.1	130	94	51	39	173	



IMPORTANT NOTICE

AiT Components (AiT) reserves the right to make changes to any its product, specifications, to discontinue any integrated circuit product or service without notice, and advises its customers to obtain the latest version of relevant information to verify, before placing orders, that the information being relied on is current.

AiT Components' integrated circuit products are not designed, intended, authorized, or warranted to be suitable for use in life support applications, devices or systems or other critical applications. Use of AiT products in such applications is understood to be fully at the risk of the customer. As used herein may involve potential risks of death, personal injury, or servers property, or environmental damage. In order to minimize risks associated with the customer's applications, the customer should provide adequate design and operating safeguards.

AiT Components assumes no liability to customer product design or application support. AiT warrants the performance of its products of the specifications applicable at the time of sale.