



DESCRIPTION

The ES1AF~ES1JF is available in SMAF Package

FEATURES

- For surface mounted applications
- Low profile package
- Glass Passivated Chip Junction
- Superfast reverse recovery time
- Available in SMAF Package

ORDERING INFORMATION

Package Type	Part Number
SMAF	ES1AF
	ES1BF
	ES1CF
	ES1DF
	ES1EF
	ES1GF
	ES1JF
Note	SPQ: 3,000pcs/Reel
AiT provides all RoHS Compliant Products	

MECHANICAL DATA

Case: SMAF

Terminals: Solderable per MIL-STD-750,
Method 2026

Approx. Weight: 27mg 0.00086oz

PIN DESCRIPTION





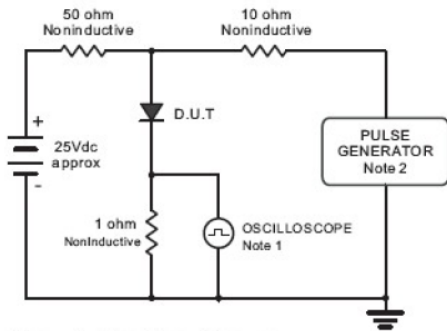
ABSOLUTE MAXIMUM RATINGS AND ELECTRICAL CHARACTERISTICS

Ratings at 25°C ambient temperature unless otherwise specified. Single phase, half wave, 60 Hz, resistive or inductive load. For capacitive load, derate current by 20%

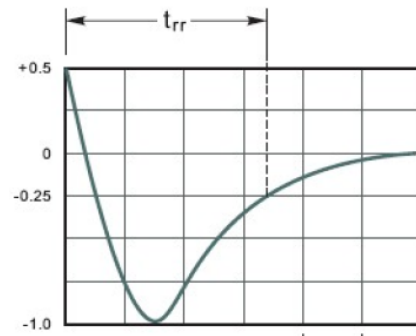
Parameter		Symbol	ES1AF	ES1BF	ES1CF	ES1DF	ES1EF	ES1GF	ES1JF	Unit
Maximum Repetitive Peak Reverse Voltage		V_{RRM}	50	100	150	200	300	400	600	V
Maximum RMS Voltage		V_{RMS}	35	70	105	140	210	280	420	V
Maximum DC Blocking Voltage		V_{DC}	50	100	150	200	300	400	600	V
Maximum Average Forward Rectified Current at $T_L=100^\circ\text{C}$		$I_{F(AV)}$	1.0							A
Peak Forward Surge Current 8.3ms Single Half Sine Wave Superimposed on Rated Load (JEDEC Method)		I_{FSM}	25							A
Maximum Forward Voltage at 1A		V_F	1.0			1.25		1.7		V
Maximum DC Reverse Current at Rated DC Blocking Voltage	$T_A=25^\circ\text{C}$	I_R	5.0							uA
	$T_A=125^\circ\text{C}$		100							
Typical Junction Capacitance at $V_R=4\text{V}$, $f=1\text{MHz}$		C_J	10							pF
Maximum Reverse Recovery Time at $I_F=0.5\text{A}$, $I_R=1\text{A}$, $I_{rr}=0.25\text{A}$		t_{rr}	35							ns
Operating and Storage Temperature Range		T_J , T_{STG}	-55 ~ 150							°C

TYPICAL CHARACTERISTICS

Figure. 1 Reverse Recovery Time Characteristic And Test Circuit Diagram



Note: 1. Rise Time = 7ns, max.
Input Impedance = 1megohm, 22pF.
2. Ries Time = 10ns, max.
Source Impedance = 50 ohms.



Set time Base for 10ns/div

Figure. 2 Maximum Average Forward Current Rating

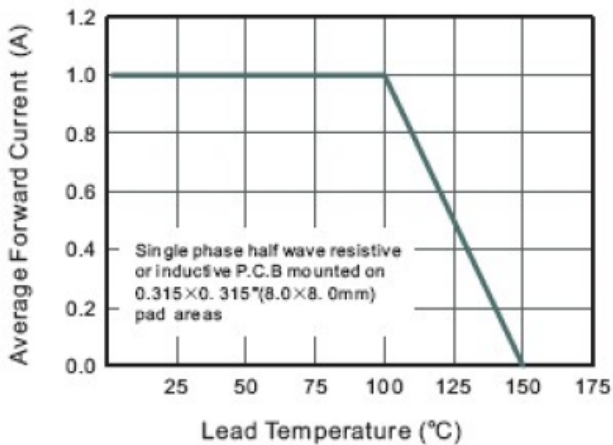


Figure. 3 Typical Reverse Characteristics

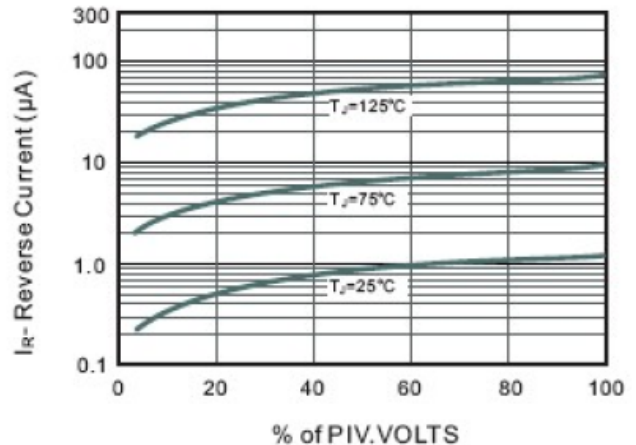


Figure. 4 Typical Forward Characteristics

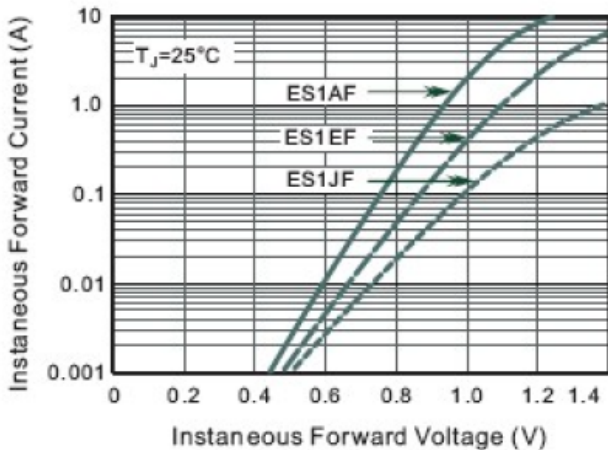
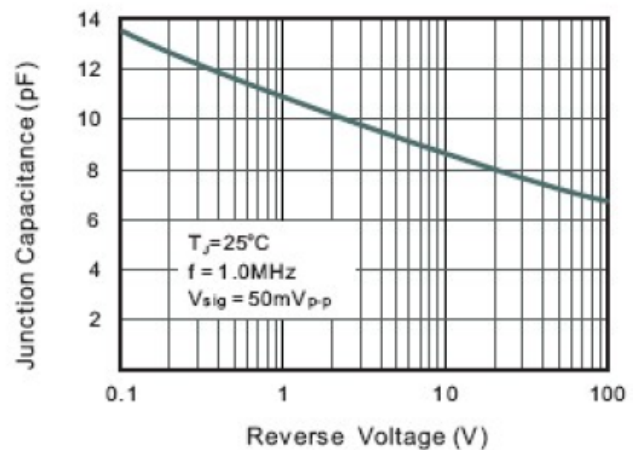


Figure. 5 Typical Junction Capacitance

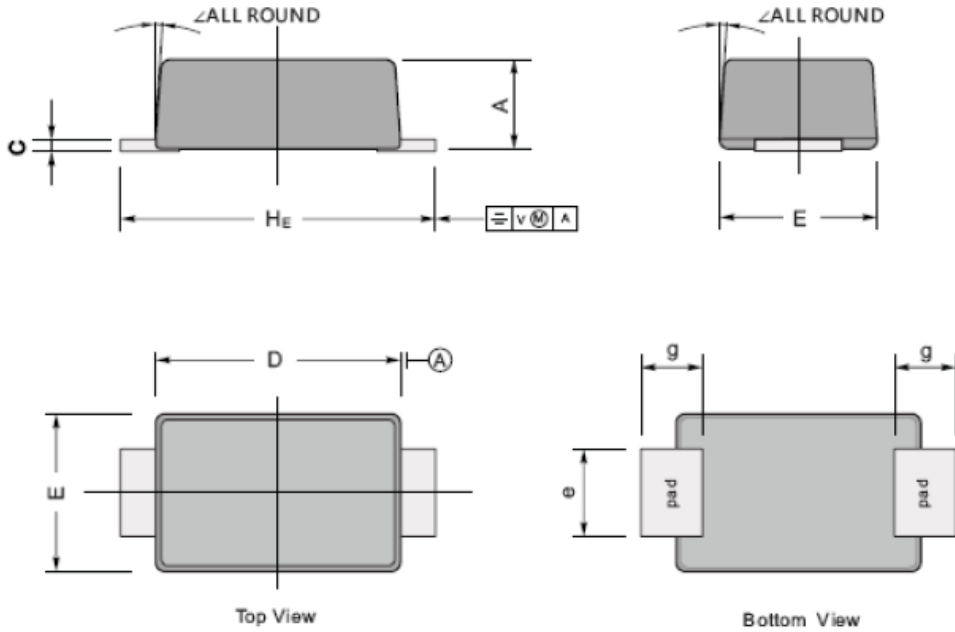




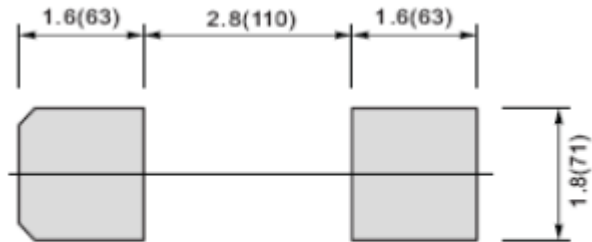
PACKAGE INFORMATION

Dimension in SMAF (Unit: mm)

Plastic surface mounted package; 2 leads



The recommended mounting pad size



Unit: mm(mil)

UNIT		A	B	C	E	e	g	H _E	\angle
mm	Max	1.3	0.23	3.7	2.7	1.6	1.3	4.9	7°
	Min	1.1	0.18	3.3	2.4	1.3	1.0	4.4	
mil	Max	51	9.1	146	106	63	51	193	
	Min	43	7.1	130	94	51	39	173	



IMPORTANT NOTICE

AiT Components (AiT) reserves the right to make changes to any its product, specifications, to discontinue any integrated circuit product or service without notice, and advises its customers to obtain the latest version of relevant information to verify, before placing orders, that the information being relied on is current.

AiT Components' integrated circuit products are not designed, intended, authorized, or warranted to be suitable for use in life support applications, devices or systems or other critical applications. Use of AiT products in such applications is understood to be fully at the risk of the customer. As used herein may involve potential risks of death, personal injury, or servers property, or environmental damage. In order to minimize risks associated with the customer's applications, the customer should provide adequate design and operating safeguards.

AiT Components assumes no liability to customer product design or application support. AiT warrants the performance of its products of the specifications applicable at the time of sale.