



DESCRIPTION

This Common Cathode Silicon Epitaxial Planar Dual Diode is designed for use in ultra high speed switching applications. This device is housed in the SC-89 package which is designed for low power surface mount applications, where board space is at a premium.

The DAN222 is available in SC-89 Package.

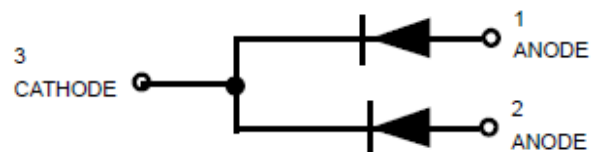
FEATURES

- Fast trr
- Low C_D
- Available in SC-89 Package

ORDERING INFORMATION

Package Type	Part Number
SC-89	DAN222
Note	3,000pcs /Reel
AiT provides all RoHS Compliant Products	

PIN DESCRIPTION





ABSOLUTE MAXIMUM RATINGS

$T_A = 25^\circ\text{C}$

V_R , Reverse Voltage	80Vdc
V_{RM} , Peak Reverse Voltage	80Vdc
I_F , Forward Current	100mAdc
I_{FM} , Peak Forward Current	300mAdc
I_{FSM} , Peak Forward Surge Current ^{NOTE1}	2.0Adc

Stresses above may cause permanent damage to the device. These are stress ratings only and functional operation of the device at these or any other conditions beyond those indicated in the Electrical Characteristics are not implied. Exposure to absolute maximum rating conditions for extended periods may affect device reliability.

NOTE1: $t = 1\mu\text{s}$.

THERMAL CHARACTERISTICS

Parameter	Symbol	Max	Unit
Power Dissipation	P_D	150	mW
Junction Temperature	T_J	150	$^\circ\text{C}$
Storage Temperature Range	T_{stg}	-55 to +150	$^\circ\text{C}$



ELECTRICAL CHARACTERISTICS

T_A = 25°C

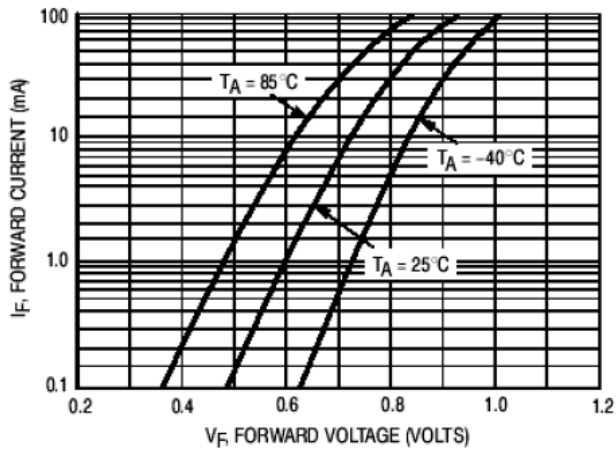
Parameter	Symbol	Conditions	Min.	Max.	Unit
Reverse Voltage Leakage Current	I _R	V _R = 70V	-	0.1	μA _{dc}
Forward Voltage	V _F	I _F = 100mA	-	1.2	V _{dc}
Reverse Breakdown Voltage	V _R	I _R = 100 μA	80	-	V _{dc}
Diode Capacitance	C _D	V _R = 6.0V, f = 1.0MHz	-	3.5	pF
Reverse Recovery Time	trr ^{NOTE2}	I _F = 5.0mA, V _R = 6.0V, R _L = 100Ω, I _{rr} = 0.1I _R	-	4.0	ns

NOTE2: trr Test Circuit on following page.

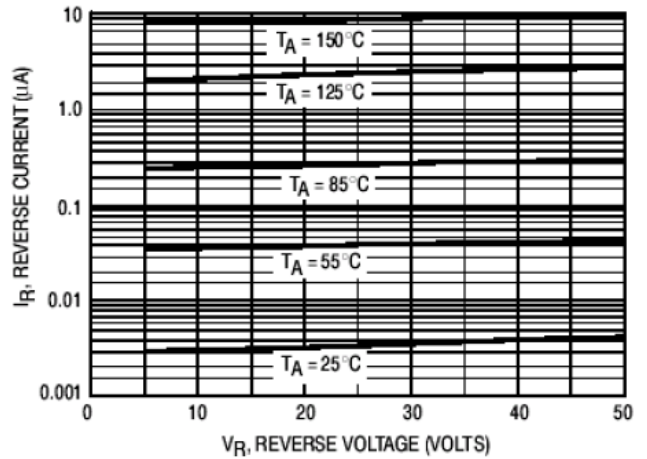


TYPICAL CHARACTERISTICS

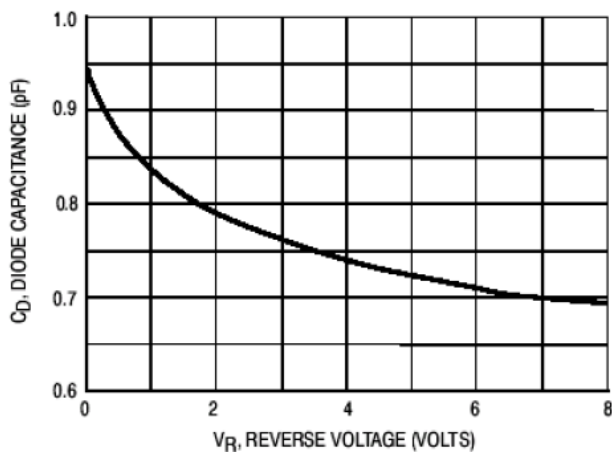
1. Forward Voltage



2. Reverse Current

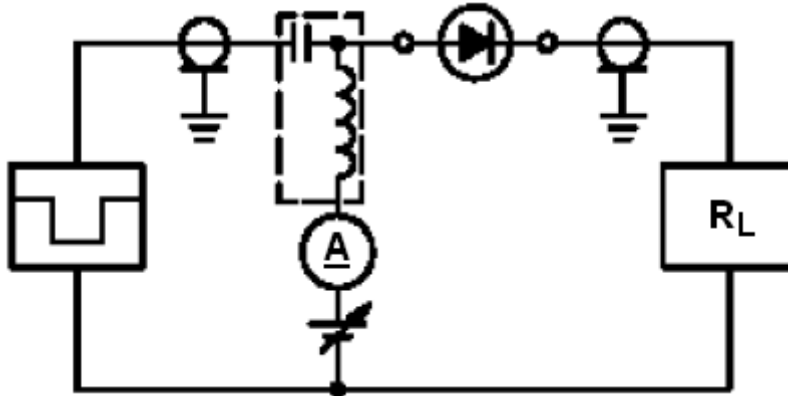


3. Diode Capacitance

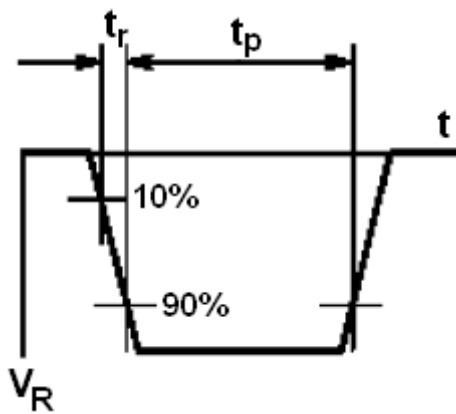




RECOVERY TIME EQUIVALENT TEST CIRCUIT

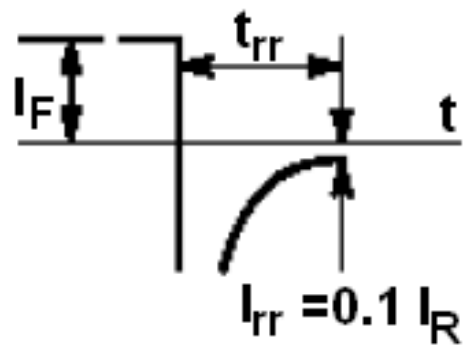


INPUT PULSES



$t_p = 2\mu s$
 $t_r = 0.35 ns$

OUTPUT PULSE

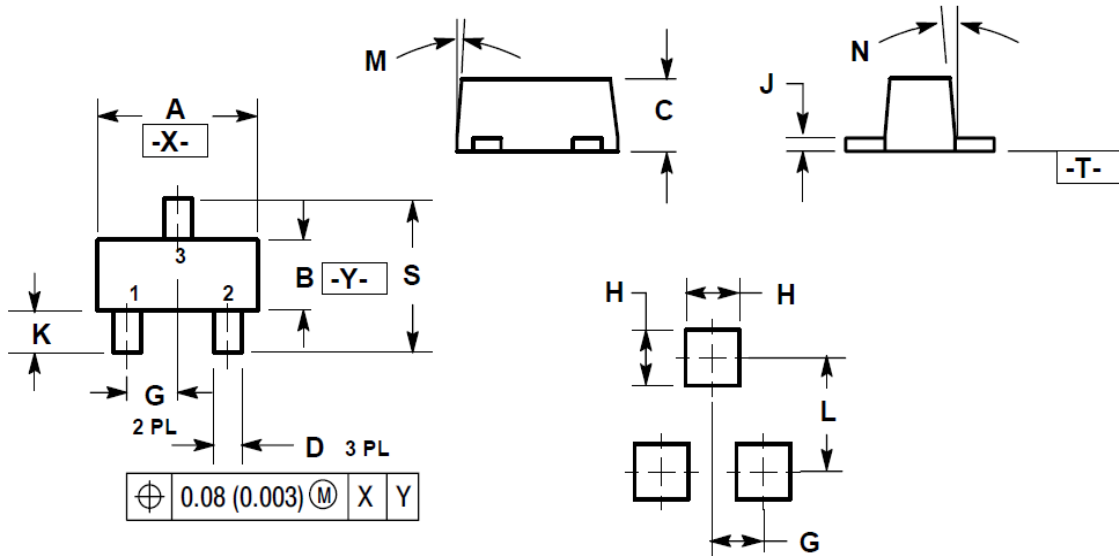


$I_F = 5.0 mA$
 $V_R = 6V$
 $R_L = 100\Omega$



PACKAGE INFORMATION

Dimension in SC-89 Package (Unit: mm)



DIM	MILLIMETERS		INCHES	
	MIN	MAX	MIN	MAX
A	1.50	1.70	0.059	0.067
B	0.75	0.95	0.030	0.040
C	0.60	0.80	0.024	0.031
D	0.23	0.33	0.009	0.013
G	0.50 BSC		0.020 BSC	
H	0.53 REF		0.021 REF	
J	0.10	0.20	0.004	0.008
K	0.30	0.50	0.012	0.020
L	1.10 REF		0.043 REF	
M	-	10°	-	10°
N	-	10°	-	10°
S	1.50	1.70	0.059	0.067



AiT Components Inc.

www.ait-components.com

DAN222

DUAL SWITCHING DIODES
COMMON CATHODE SILICON

IMPORTANT NOTICE

AiT Components (AiT) reserves the right to make changes to any its product, specifications, to discontinue any integrated circuit product or service without notice, and advises its customers to obtain the latest version of relevant information to verify, before placing orders, that the information being relied on is current.

AiT Components' integrated circuit products are not designed, intended, authorized, or warranted to be suitable for use in life support applications, devices or systems or other critical applications. Use of AiT products in such applications is understood to be fully at the risk of the customer. As used herein may involve potential risks of death, personal injury, or severe property, or environmental damage. In order to minimize risks associated with the customer's applications, the customer should provide adequate design and operating safeguards.

AiT Components assumes no liability to customer product design or application support. AiT warrants the performance of its products of the specifications applicable at the time of sale.